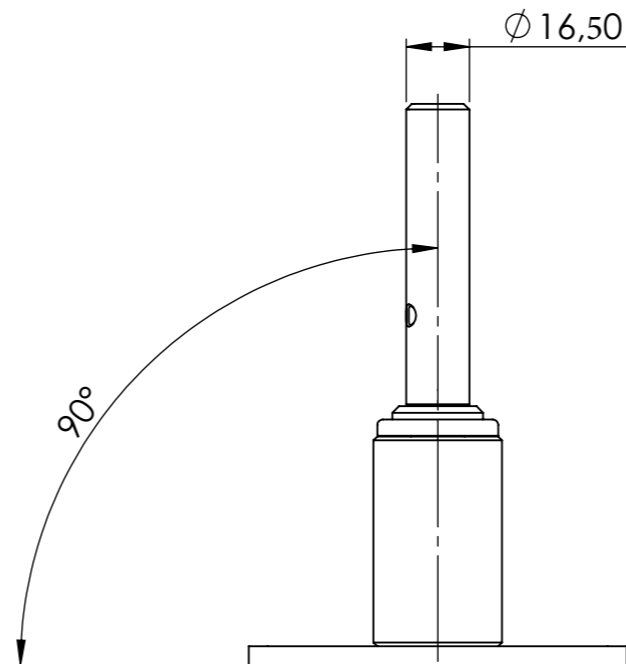
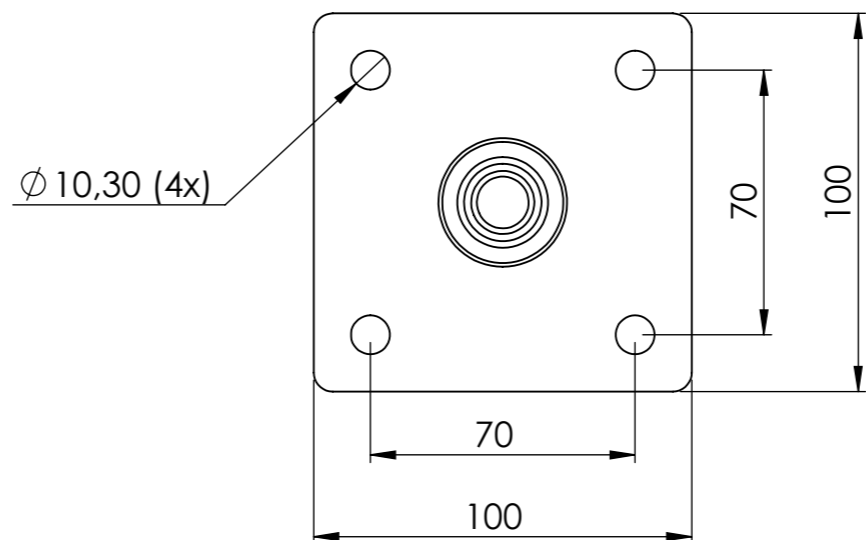
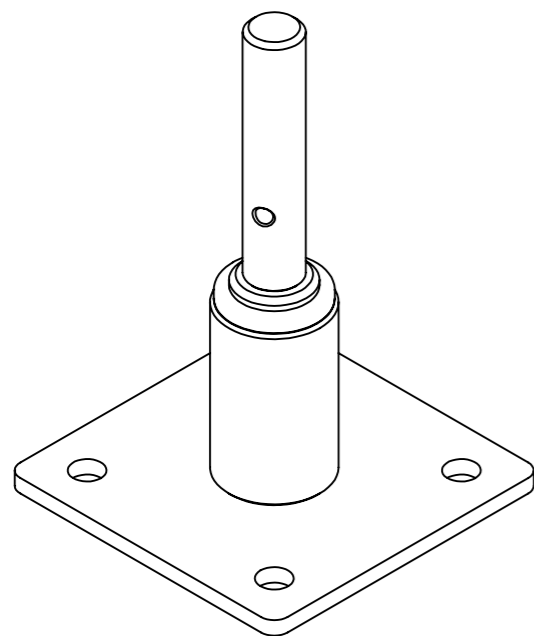


1 2 3 4 5 6 7 8 9 10

A
B
C
D
E
F
G
H



SURFACE ROUGHNESS:	REMOVE BURS AND SHARP EDGES	TITLE: Wall mounting bracket 90 degrees	APPROVED: -	DATE: -
	GENERAL TOLERANCE: ISO 2768-mH TOLERANCE PRINCIPLE: ISO 8015		SIZE: A3	SCALE: 1:2
SURFACE TREATMENT:	Black coated	DIMENSIONS: <i>mm</i>	EXTERNAL REF.:	
WEIGHT:	720 gram		PROJECTION:	ASSY.:
ProFlags BV Tilbury 8 3897AC, Zeewolde (NL)		TEL: +31 (85) 401 4648 E-MAIL: info@proflags.com		3041
				SHEET: 1 REVISION:

FRONT
FRONT
AND/OR
FRONT
ORDER NO.